

Gearboxes for  
**Dredgers**

RDG/RDGL 200 – 800 | 300 – 10,000 kW



# Applications for Dredgers

## RDG/RDGL 200 – 800

### Advantages

Gearboxes of the new RDG series have been developed for dredger applications such as dredge pumps installed inside the vessel as well as dredge pumps in use under water with close coupled pump and engine.

We have the backing of over 80 years of experience in marine

gearbox design and production and use state-of-the-art computation tools and production technologies.

Owing to their design for specific areas of deployment, the reduction gearboxes with or without clutch of the RDG series offer various special advantages:

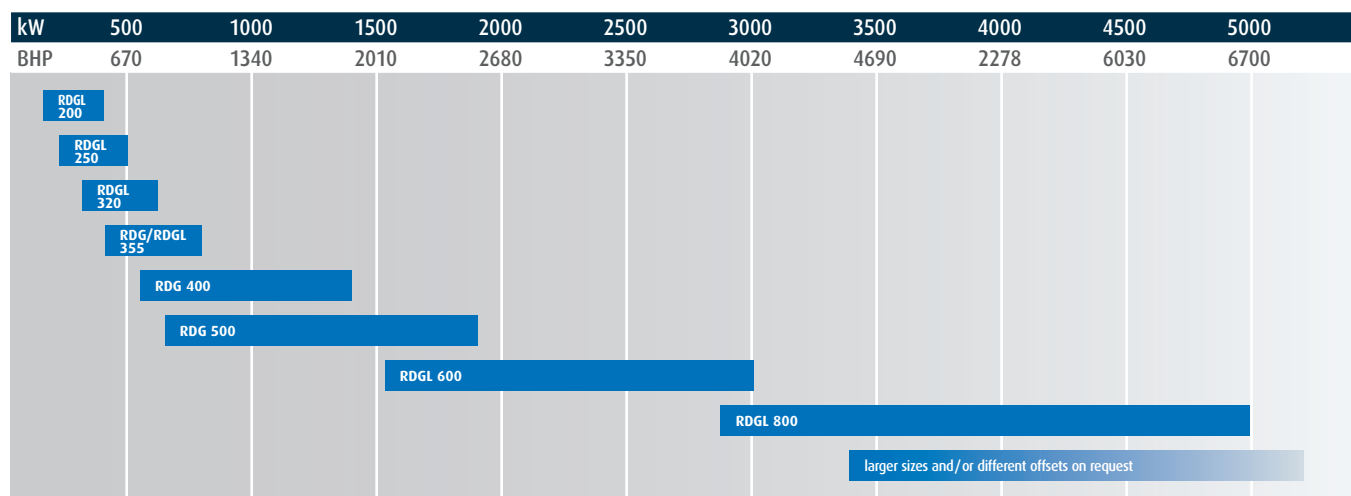
- High operating reliability
- Simple operation and maintenance
- Compact dimensions
- Standardised shafts in custom made housings
- Propulsion gearbox and dredging gearbox from one supplier

### Gearbox selection

The selection diagram below gives an overview of the performance ratings of the basic RDG types.

However for the final selection of gearboxes please contact REINTJES.

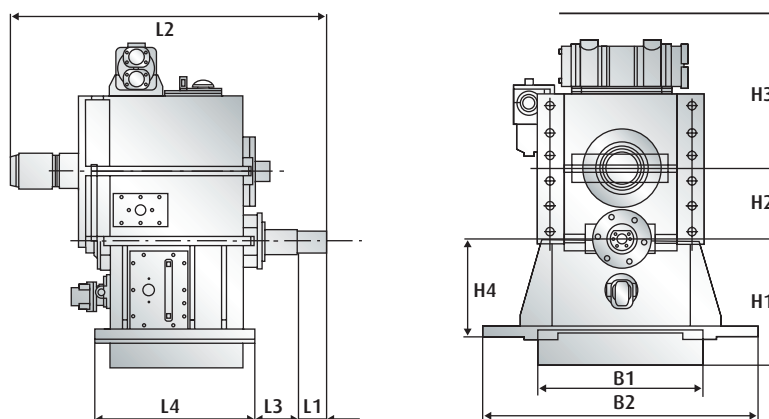
### Engine Power





## RDG/RDGL 200-800

Reduction gearbox  
with roller bearings  
and flexible coupling  
Vertically offset



Gearbox	Main Dimensions (mm)										Weight kg <sup>1)</sup>
	RDG	B1	B2	H1	H2	H3	H4	L1	L2	L3	
<b>355</b>	700	1060	410	355	600	150	135	975	7	450	1300
<b>400</b>	900	1300	460	400	600	150	107	1022	-11	570	2000
<b>500 A</b>	1000	1500	510	500	600	160	107	1062	-51	680	2450
<b>500 B</b>	1000	1500	510	500	600	160	172	1202	-16	680	2700

larger sizes and/or different offsets on request

1) Gearbox standard design (dry) | Dimensions and weights not strictly binding

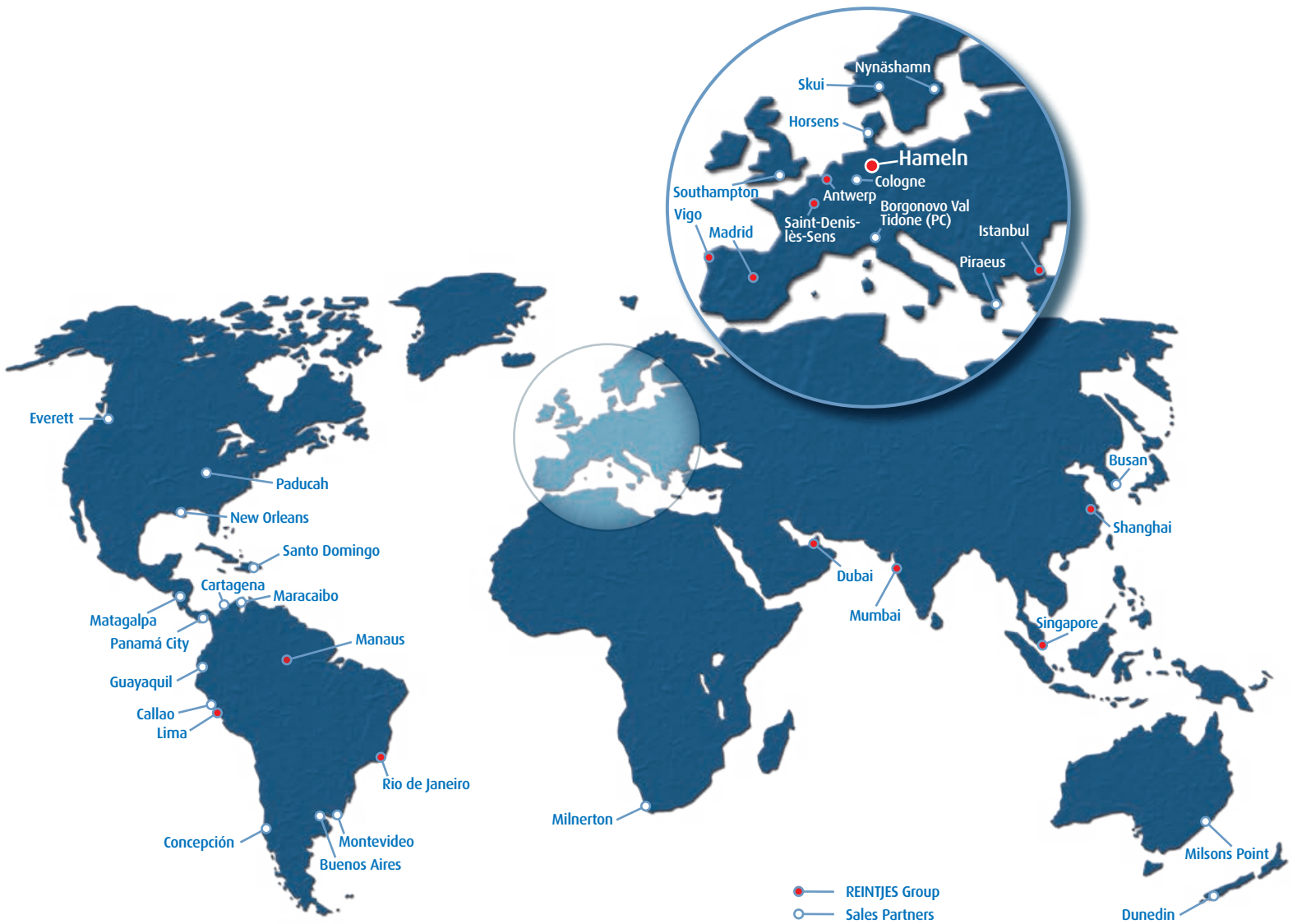
Gearbox	Main Dimensions (mm)										Weight kg <sup>1)</sup>
	RDGL	B1	B2	H1	H2	H3	H4	L1	L2	L3	
<b>200</b>	400	720	360	200	440	230	90	970	168	480	550
<b>250</b>	600	1000	460	250	550	350	105	1177	160	600	1000
<b>320</b>	800	1150	560	320	830	350	125	1435	173	720	1650
<b>355 A</b>	700	1060	410	355	650	150	135	1335	347	450	1800
<b>355 B</b>	900	1250	610	355	900	350	150	1821	38	960	2700
<b>600</b>	1200	1800	660	600	800	200	175	1625	401	600	4500
<b>800</b>	1610	2200	740	800	850	160	162	1462	300	850	7000

larger sizes and/or different offsets on request

1) Gearbox standard design (dry) | Dimensions and weights not strictly binding

## Options

- Output shaft with trapezoidal thread
- Slide bearings
- Flexible coupling
- Mechanical overload protection
- Electronic overload protection for gearboxes with built-in clutch
- Turn drive
- Bell housing for close coupled pump and/or engine
- Gearboxes can be horizontally offset



REINTJES GmbH  
 Eugen-Reintjes-Straße 7  
 31785 Hameln  
 Germany  
 Phone +49 51 51 104-0  
 Fax +49 51 51 104-300  
 E-mail [marine@reintjes-gears.de](mailto:marine@reintjes-gears.de)  
[www.reintjes-gears.de](http://www.reintjes-gears.de)