

Gearboxes for
**Naval & Governmental
Applications**

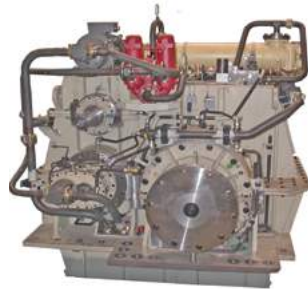
700 – 30,000 kW



Gearboxes for Naval & Governmental Applications



WVS 2240 - Reverse reduction gearbox, horizontally offset configuration, for fast vessels



SVAL 1000 - Reduction gearbox with slide bearings, for controllable pitch propeller, horizontally offset configuration, with disc clutch



WAF 763 - Reverse reduction gearbox, vertically offset configuration, version with flange



DLG 110131 - Twin input/single output reduction gearbox, with disc clutch, same height of the input shafts

Basic Equipment

- Fabricated steel, cast, iron or aluminium housing
- Spur wheels helically toothed, case hardened and tooth flank ground
- Built-in hydraulically operated disc clutches with steel/sinter friction surface
- Smooth engagement by adapted pressure increase during shifting
- Full power transmission and equal reduction ratios in identical and counter rotation application

- Roller or plain bearing design

Scope of Supply

STANDARD

- Integrated oil sump, common circuit for operating pressure and lube oil, oil pump and oil filter accessible from the outside
- Fitted heat exchanger, seawater resistant
- Supervision in accordance to all class requirements
- Built-on control valve, electrically operated

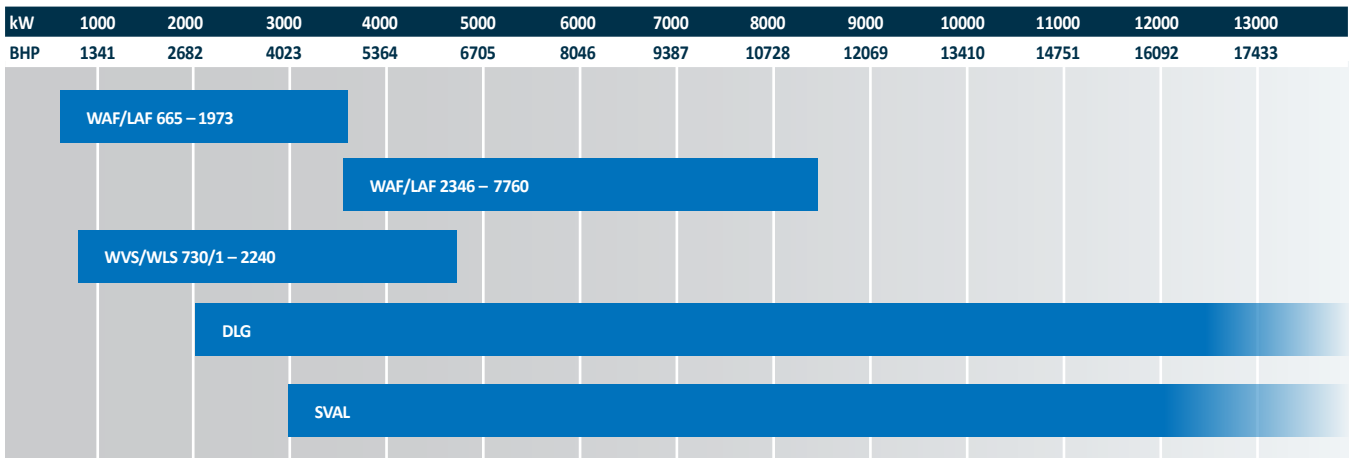
- Input: free shaft end with taper 1:30
- Output: forged-on flange
- Paint coating with synthetic resin according to RAL/Munsell code

OPTIONS

- Customised gearbox execution
- Double helical toothing
- Shock resistant
- Watertight sealing
- Resilient mounting
- PTO/PTI

- Shaft brake/shaft locking
- Trolling valve (ADS)
- Degaussing
- Local Operating Panel (LOP)
- Oil pre-heater
- Spare parts as per classification rules
- Documentation in accordance with customers' requirements meeting international standards incl. different IETM levels

Engine power





Turn Drive

The turn drive allows turning the propeller shaft even when the main engine is standing still, e.g. for maintenance work.

- Operation with a control panel and with a remote control
- Current status can be monitored and visualised with the LOP



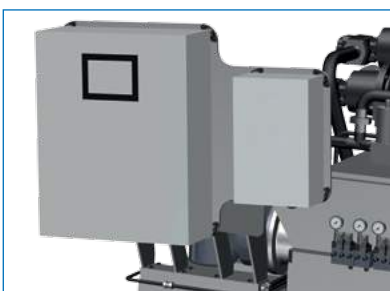
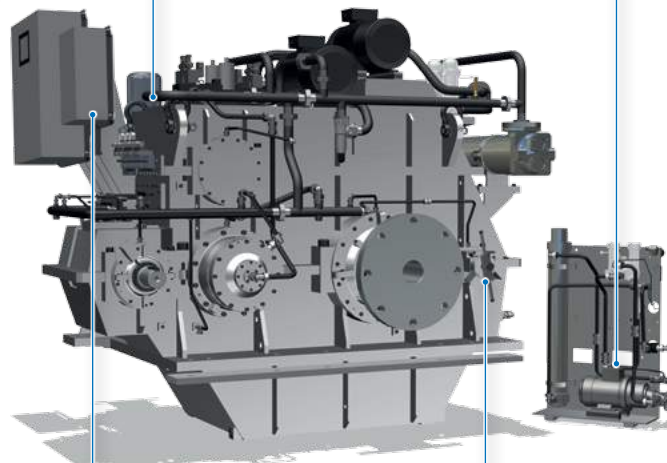
Double Helical Toothing



Oil Pre-Heater

The oil pre-heater heats up the oil to a temperature of > 25 °C.

- Manual and automatic operation are both possible
- Current status can be monitored and visualised with the LOP

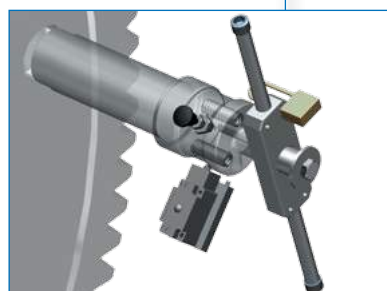


Local Operating Panel (LOP)

The LOP can be used for various purposes including:

- Control of the clutch(es)
- Control of electric oil pumps
- Monitoring alarms, operating conditions, and values such as pressure, speed etc.
- Operation of special equipment such as turn drive, shaft locking device, and oil pre-heater

The LOP control cabinet comes with a TFT display with a customised menu structure.



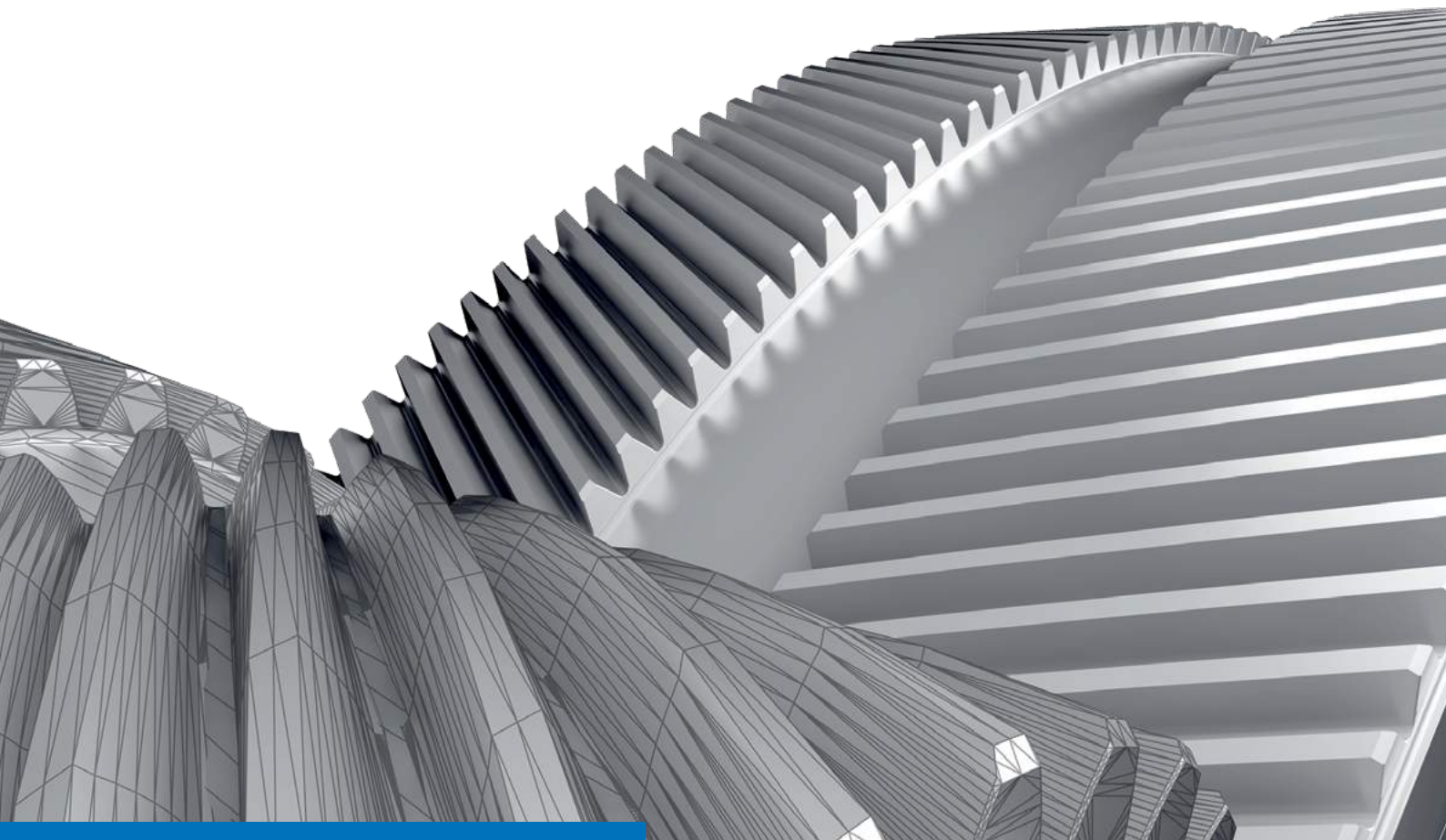
Shaft Locking Device

With the shaft locking device the propeller shaft can be mechanically locked and therefore be secured in its position.

- Spring-loaded
- Easy-to-operate
- Current status can be monitored and visualised with the LOP

Resilient Mounting of Gearbox and Accessories





REINTJES GmbH
Eugen-Reintjes-Straße 7
31785 Hameln
Germany
Phone +49 51 51 104-0
E-mail marine@reintjes-gears.de
www.reintjes-gears.de

This document and the technical data contained herein are subject to technical modifications and are non-binding. The data serve informational purposes and cannot be guaranteed in any way. In addition, our gearboxes will be assessed and determined individually for each project. This is necessary due to differing characteristics of each project like specific site and operational conditions. If this document is delivered in another language than English and in case of divergences of interpretation between the different language texts, the English text shall prevail.