

REINTJES Fast Clutch

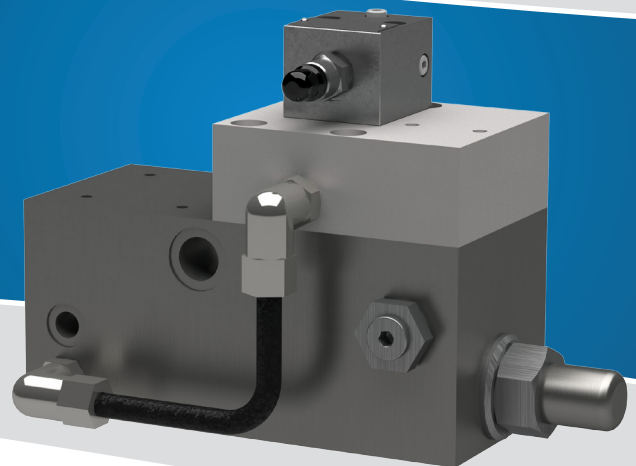
FC 200

Available for gearbox types

WAF / LAF 164 - 573

WVS / WLS 234 - 930

ZWVS 440 - 930



Fast shifting times ahead and astern with soft clutch engagement

Solution: REINTJES Fast Clutch

REINTJES Fast Clutch

available for applications like:

- Wind farm transfer / supply vessels
- Tug boats
- Yachts
- Fishing vessels
- Inland waterway vessels

The "Fast Clutch" system is used to achieve a fast and seamless engagement of the gearbox clutches in approximately 1 second. This is achieved by increasing the pre-pressure of the gearbox hydraulic system.

The "Fast Clutch" system may be installed on new gearboxes or retrofitted on gearboxes that are already in operation.

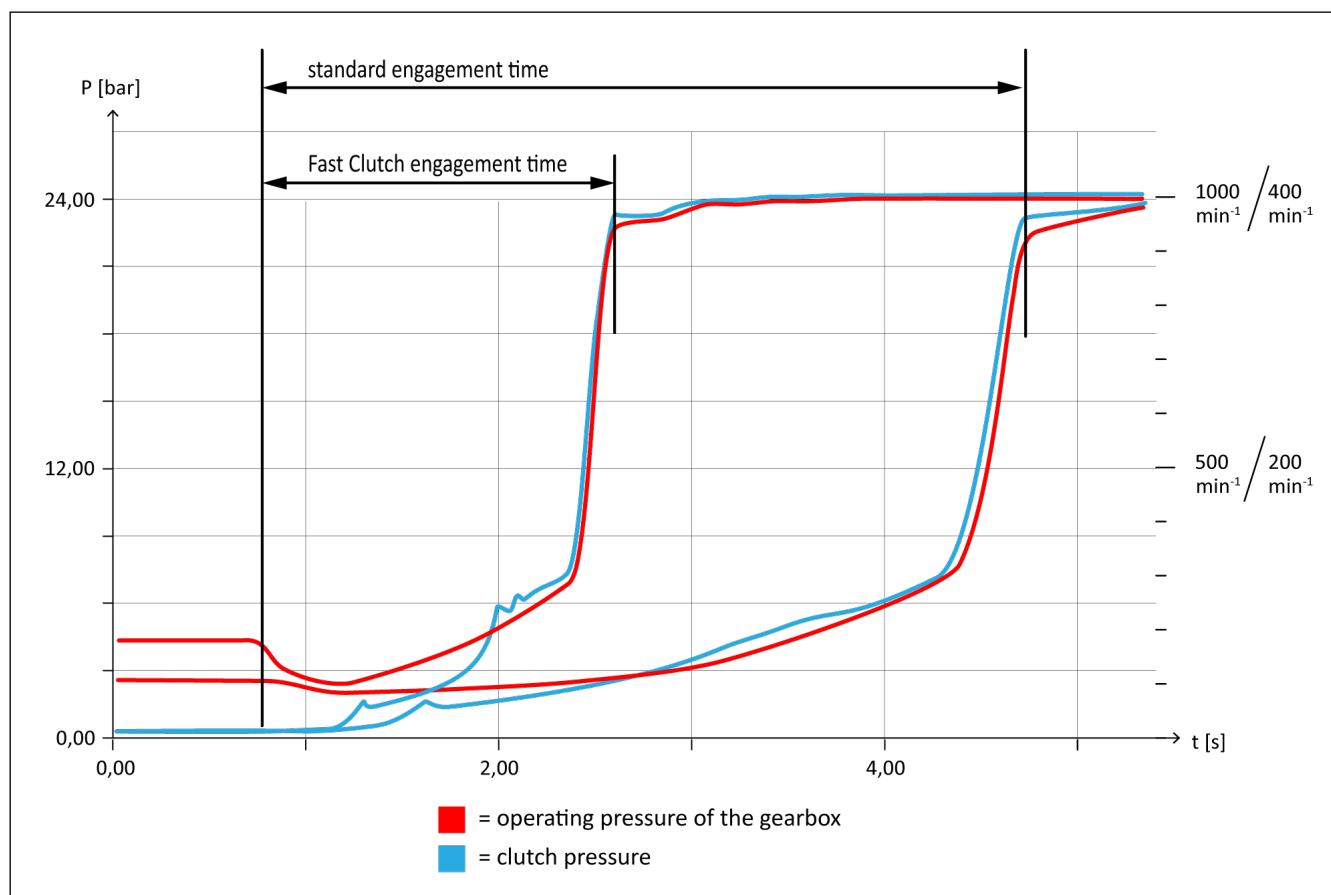
The following options are available:

Option 1: "Fast Clutch"

The gearbox is equipped with components of the hydraulic system that ensure a permanently fast clutch engagement.

Option 2: "Fast Clutch Select"

The gearbox is equipped with components that allow for selecting "Fast Clutch" or standard operation.





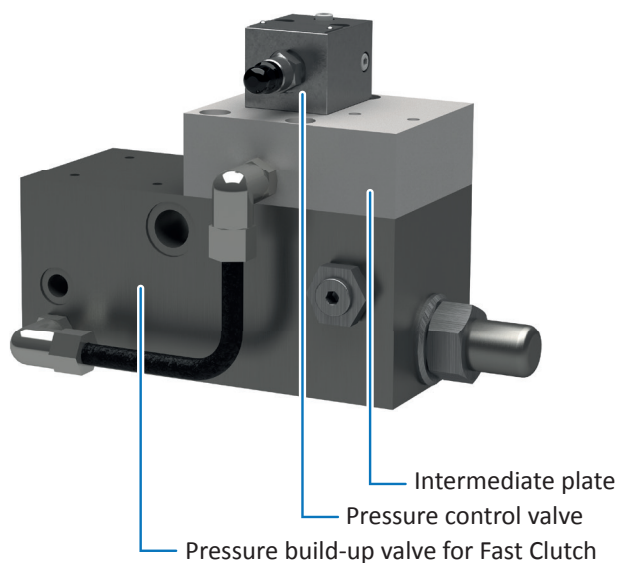
"Fast Clutch"

The pre-pressure of the hydraulic system is adjusted to achieve shortest shifting times for travel directions ahead and astern and yet a soft engagement of the clutches.

This system cannot be used in combination with the REINTJES Active Speed Control System "ADS".

REINTJES scope of supply:

1. Pressure build-up valve for Fast Clutch
2. Intermediate plate
3. Pressure control valve



"Fast Clutch Select"

The gearbox is equipped with a clutch engagement system which allows for selecting two different operating modes:

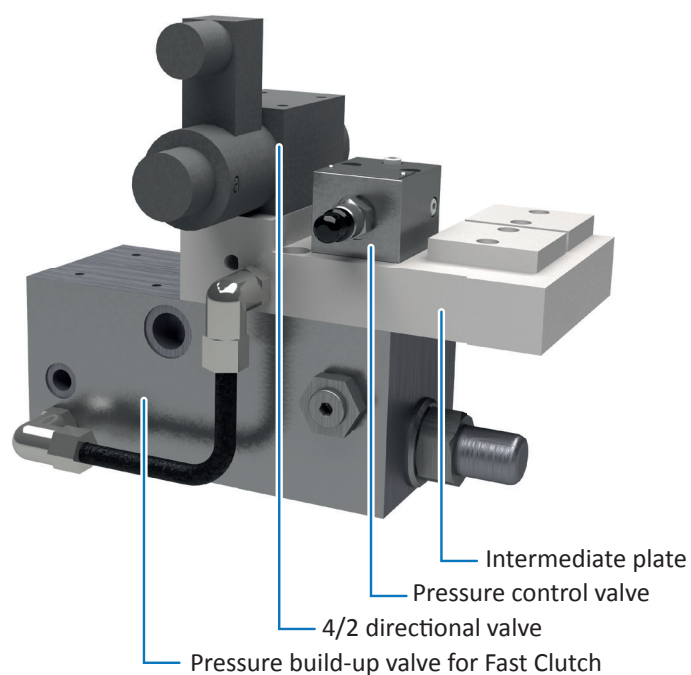
- Standard (normal acceleration of propeller shaft)
- "Fast clutch Select" (fast acceleration of propeller shaft)

"Fast clutch Select" can be switched on or off by use of the additional spring returned 4/2 directional valve.

"Fast clutch Select" may be combined with the REINTJES Active Speed Control System "ADS".

REINTJES scope of supply:

1. Pressure build-up valve for Fast Clutch
2. Intermediate plate
3. 4/2 directional valve
4. Pressure control valve





REINTJES GmbH
Eugen-Reintjes-Straße 7
31785 Hameln
Germany
Phone +49 51 51 104-0
Fax +49 51 51 104-300
E-mail info@reintjes-gears.de
www.reintjes-gears.de

This document and the technical data contained herein are subject to technical modifications and are non-binding. The data serve informational purposes and cannot be guaranteed in any way. In addition, our gearboxes will be assessed and determined individually for each project. This is necessary due to differing characteristics of each project like specific site and operational conditions. If this document is delivered in another language than English and in case of divergences of interpretation between the different language texts, the English text shall prevail.