

Gearboxes for
Fast Vessels

WVS/WLS 730/1 – 2240 | 900 – 5,000 kW

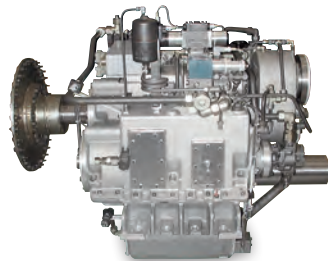


Applications for Fast Vessels

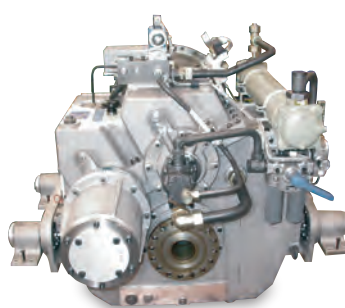
WVS/WLS 730/1 – 2240



Reverse-reduction gearbox with bell-housing, resilient mounting, vertically offset



Reduction gearbox with special supervision and PTO incl. SAE pads, vertically offset



Reverse-reduction gearbox with resilient mounting and PTO incl. SAE-Pads, vertically offset



Reverse-reduction gearbox with special supervision and PTO incl. SAE pads, U-drive, vertically offset

Advantages

WVS- and WLS-gearboxes have been specially designed for fast vessels such as naval units, patrol boats, yachts and other vessels with similarly high performance demands.

We have the backing of over 80 years of experience in marine gearbox production and use state-of-the-art computation tools and production technologies.

Owing to their design for specific areas of deployment, the hydraulically operated reverse-reduction gearboxes of the WVS series, as well as the reduction gearboxes of the WLS series offer various special advantages:

- High power-to-weight ratio
- Low performance weight due to weight-optimised design
- Finely tuned shifting
- Compact dimensions
- Low operating noise

Gearbox Selection

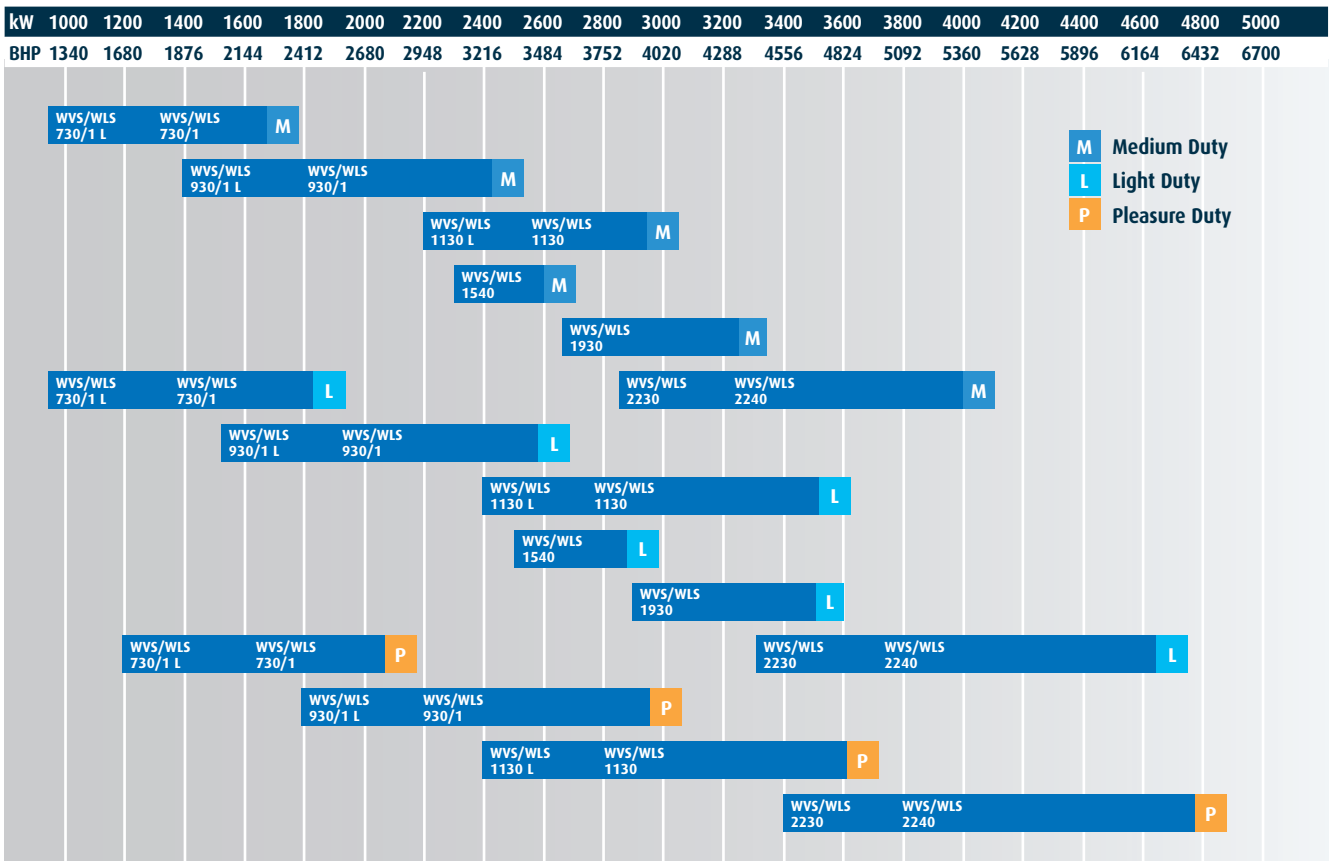
The selection diagram opposite gives an overview of the performance ratings of the basic WVS types. These also apply for WVS U, WLS and WLS U units.

However, for the final selection of gearboxes only the ratings of the applicable gearbox selection table are binding.

DESIGNED FOR MEDIUM, LIGHT AND PLEASURE DUTY APPLICATIONS



Engine power

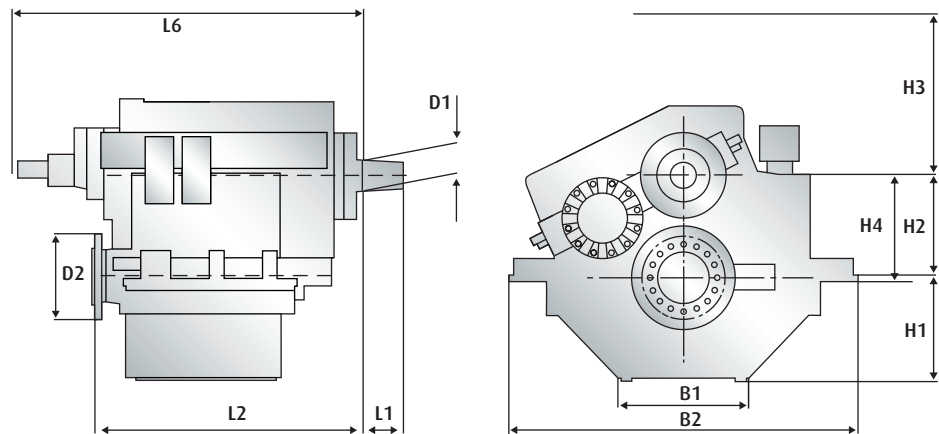


Marine Gearboxes

WVS/WLS 730/1 – 2240

WVS/WLS 730/1 – 2240

Reverse-reduction gearboxes with hydraulically operated clutches. Vertically offset. Input and output on opposite sides.

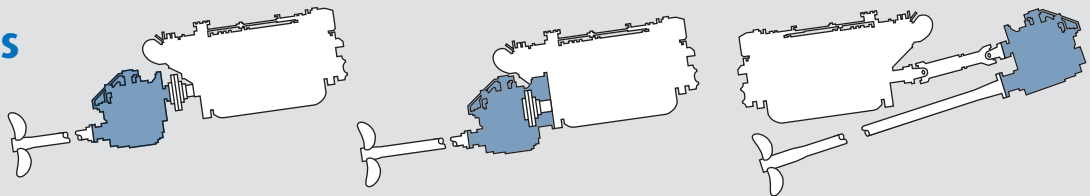


Gearbox WVS/WLS	B1	B2	D1	D2	Main Dimensions (mm)					L1	L2	L6	Weight kg ¹		
					H1	H2	H3	H4	WVS				WLS ²	WLS ³	
730/1L	650	1036	92	260	323	310	540	340	110	795	965	720	570	660	
730/1	650	1036	92	260	323	310	540	340	110	795	965	725	575	665	
930/1L	750	1166	102	280	348	340	560	385	120	845	1024	925	725	845	
930/1	750	1166	102	280	348	340	560	385	120	845	1024	950	750	870	
1130L	700	1350	117	350	435	425	650	440	157	1085	1255	1550	1270	1410	
1130	700	1350	117	350	435	425	650	440	157	1085	1255	1600	1320	1460	
1540	650	1300	107	330	390	390	700	405	142	952	1375	1450	1136	1327	
1930	500	1340	117	330	400	390	650	405	154	1032	1300	1550	1214	1419	
2230	700	1500	127	350	500	460	550	475	162	1180	1480	2150	1750	1920	
2240	700	1500	127	390	500	460	550	475	162	1180	1480	2185	1830	2000	

1) Gearbox standard design (dry). 2) Counter rotation 3) Identical rotation. Dimensions and weights not strictly binding. Subject to change.

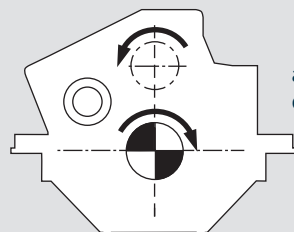
WVS series

Free-standing
Close-coupled
U-drive

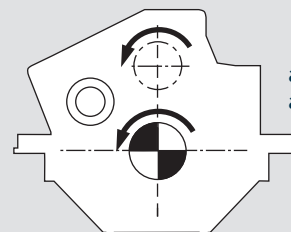


Direction of rotation WVS 1930

Seen from propeller
onto engine flywheel



anticlockwise
clockwise

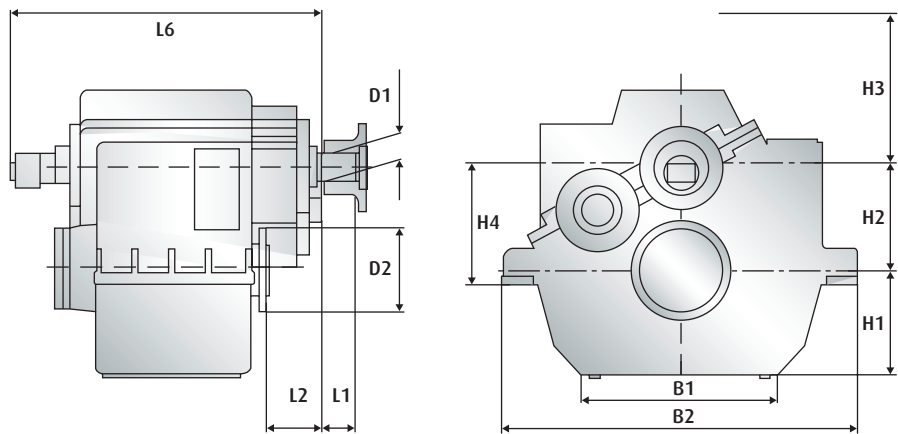


anticlockwise
anticlockwise



WVS/WLS 730/1 U – 2240 U

Reverse-reduction gearboxes with hydraulically operated clutches. Vertically offset. Input and output on the same side.

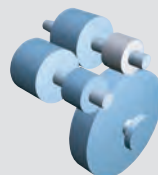
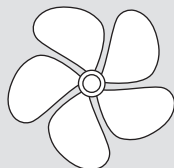


Gearbox WVS/WLS	B1	B2	D1	D2	Main Dimensions (mm)						Weight kg			
					H1	H2	H3	H4	L1	L2	L6	WVS	WLS ¹⁾	WLS ²⁾
730/1LU	650	1036	92	260	323	310	540	340	110	145	965	790	600	690
730/1U	650	1036	92	260	323	310	540	340	110	145	965	755	605	695
930/1LU	750	1166	102	280	348	340	560	385	120	175	1024	955	755	875
930/1U	750	1166	102	280	348	340	560	385	120	175	1024	980	780	900
1130LU	700	1350	117	350	435	425	650	440	157	245	1255	1675	1345	1485
1130U	700	1350	117	350	435	425	650	440	157	245	1255	1675	1345	1485
1540 U	650	1300	107	330	390	390	700	405	142	952	1375	1450	1136	1327
1930 U	500	1340	117	330	400	390	650	405	154	1032	1300	1550	1214	1419
2230U	700	1500	127	350	500	460	620	475	162	230	1480	2175	1780	1950
2240U	700	1500	127	390	500	460	620	475	162	230	1480	2210	1860	2030

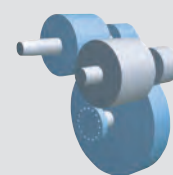
1) Gearbox standard design (dry). 2) Counter rotation 3) Identical rotation. Dimensions and weights not strictly binding. Subject to change.

WVS series

Reverse-reduction gearbox for propulsion with fixed pitch propeller



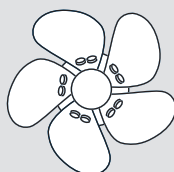
Input and output on opposite sides.



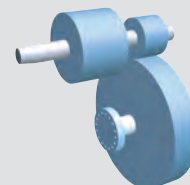
Input and output on the same side.

WLS series

Reduction gearbox for propulsion with controllable pitch propeller



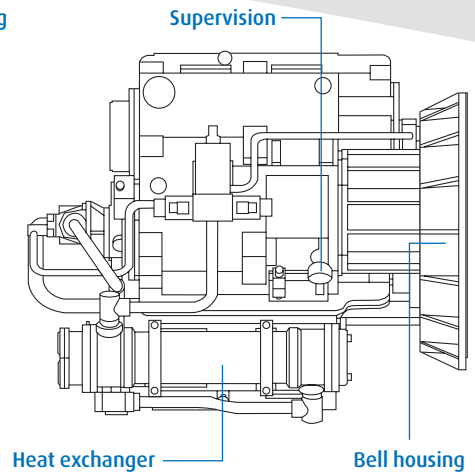
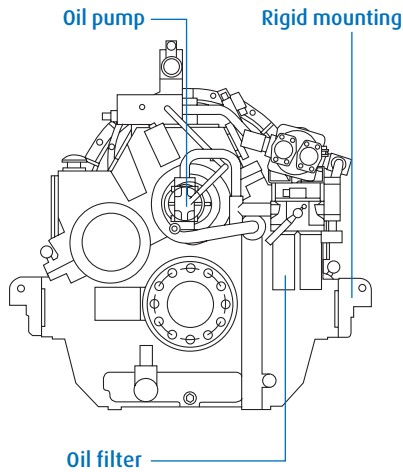
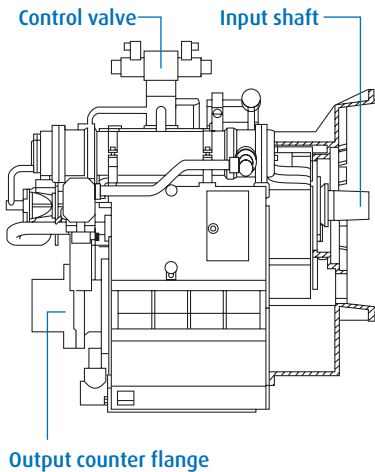
Input and output on opposite sides.



Input and output on the same side.

Standards

WVS/WLS 730/1 – 2240



Basic Equipment

- Housing made from aluminium alloy
- Prepared for mounting of SAE-bell housings
- Spur wheels helically toothed, case hardened and tooth flank ground
- Built-in hydraulically operated disc clutches with steel/ sinter friction surface
- Smooth engagement by adapted pressure increase during shifting
- Full power transmission and same reduction in both output senses of rotation

Scope of Supply

STANDARD

- Integrated oil sump. Common circuit for operating pressure and lube oil. Oil pump and oil filter accessible from the outside
- Fitted heat exchanger for cooling water inlet temperature of max. 32° C, seawater resistant
- Fitted pressure gauge for operating pressure as well as connection facility for remote supervision of pressure and temperature
- Built-on control valve, electrically operated
- Input: free shaft end with taper 1:30 (WVS and WLS). Input flange (WVS/U and WLS/U)
- Output: forged-on-flange
- Paint coating with synthetic resin varnish. Colour: RAL 7001 silver grey

EXTRAS

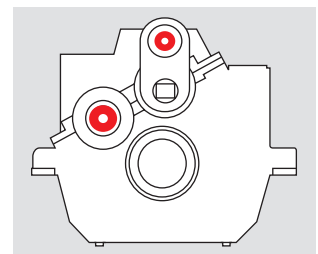
- SAE-bell housing
- Output counter flange
- Flexible coupling
- Supervision instruments as per classification rules
- Spare parts kit as per classification rules
- Paint coating with synthetic resin in all RAL-colours
- Trolling valve (ADS)
- PTO
- Resilient mounting
- Special reduction ratios

Subject to change

Options

POWER TAKE OFF/IN

If required, the gearboxes can be fitted with additional Power Take Off (PTO) (application: hydraulic pumps and generators) and Power Take In (PTI).



ADS (ACTIVE SPEED CONTROL SYSTEM) CLOSE LOOP OR CONTROLLED

The ADS is used for travelling at low propeller speeds. Speed is varied via the oil pressure in the clutch. The ADS can be engaged in both AHEAD or ASTERN propulsion modes. Reversals with operative ADS are also possible at low ship speeds.



O P T I O N S A N D F E A T U R E S



Duty Cycle Classification

TWO-SPEED GEARBOXES

Two selectable gear ratios are provided between input and output shaft. This ensures optimal operation of the ship.

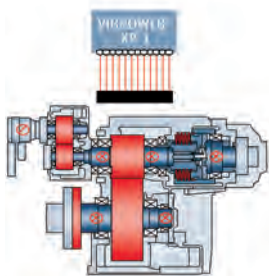


WVS/WLS SERIES

WVS/WLS gearboxes are also available with partly offset configuration.

CONDITION MONITORING

Monitoring for all key data for proactive maintenance and management available.



M MEDIUM DUTY

- Intermittent operation with some variations in engine speed and power
- Average engine operating hours limit: 4,000 hours/year
- Allowable hull forms: planing, semi-planing, catamaran
- Allowable applications: private, charter and commercial craft, navy and police activity (example: crew boats, high speed ferries)

L LIGHT DUTY

- Intermittent operation with large variations in engine speed and power
- Average engine operating hours limit: 2,500 hours/year
- Allowable hull forms: planing, semi-planing, displacement
- Allowable applications: private, charter, sport/leisure activities, naval and police activities

P PLEASURE DUTY

- Intermittent operation with very large variations in engine speed and power
- Average engine operating hours limit: 500 hours/year
- Allowable hull forms: planing, semi-planing
- Allowable applications: private, non commercial, non charter, sport/leisure activities

UNATTENDED MACHINERY SPACE

All gearboxes can be supplied with additional supervision instruments, according to classification society rules, enabling the operator to take all necessary information from the bridge.

OD-BOX

For all customary CPP systems, the output shaft can be provided with a centre bore and a connection for the oil distributor box.

Approved quality

Several renowned classification societies have granted REINTJES permission to conduct inspection and approval procedures themselves. In the same way many gearbox types come with a type approval or full classification for the main classification societies (IACS members). Since 1990 REINTJES is certified to DIN ISO 9001/EN 29001.



REINTJES GmbH
 Eugen-Reintjes-Straße 7
 31785 Hameln
 Germany
 Phone +49 51 51 104-0
 Fax +49 51 51 104-300
 E-Mail marine@reintjes-gears.de
www.reintjes-gears.de