

# REINTJES AUTOMATION

REINTJES CONTROL SYSTEM (RCS)



# REINTJES AUTOMATION

## Full control of your fixed pitch propulsion system

Control your ship precisely and reliably with our class-approved REINTJES Control System – RCS. The RCS has been developed to be employed in a wide variety of ship applications and used for different purposes, such as controlling all kinds of gearboxes from our portfolio, additional internal features (PTI/PTO/trolling) or special applications like hybrid systems. It features state-of-the-art control levers and displays which are outfitted with soft-touch pushbuttons for ergonomic and intuitive operation. Scale your RCS to your needs and control single or multi propulsion applications with fixed pitch propellers (FPP) from one or multiple stations.

### Your benefits:

- Ensure system availability with finely tuned elements of your powertrain
- Get the best out of your system:
  - Perfectly linked to REINTJES Gearbox Automation (GBX-C & GBX-A)
  - Synchronised to REINTJES Hybrid System (RHS)
- Upgrade your bridge with sophisticated and ergonomic design



Scope of supply: REINTJES Control System (middle)

# Features of our system

## High flexibility:

- Synchronisation of twin drives with FPP
- Modular, state-of-the-art propulsion control system allows for standard and customised applications
- Wide range of components available for implementing an individual solution
- Suitable for diesel and diesel-electric propulsion trains and hybrid drives
- Programmable logic controller (PLC) allowing for additional functions according to customer requirements.

## Design:

- Class-approved safety
- Clear and intuitive control concept
- Extensive indication and alert functions
- Operating elements suitable for long-term outdoor use
- Ergonomic control levers with different pre-defined design options
- User-friendly operation combined with lean design
- Single hand control of engine and gearbox

## Connectivity & Functionality:

- RCS can be connected with all popular marine engines
- Optional interfaces to Dynamic Positioning (DP) systems, autopilot or Voyage Data Recorder (VDR) available
- Customised application through parameterisation
- Adaptable engine speed curves
- Control of PTO, PTI, Trolling, and Slip & Grip
- Smooth and safe gearbox operation, separately defined reversing manoeuvre curves
- Engine stall protection

## Service & Training:

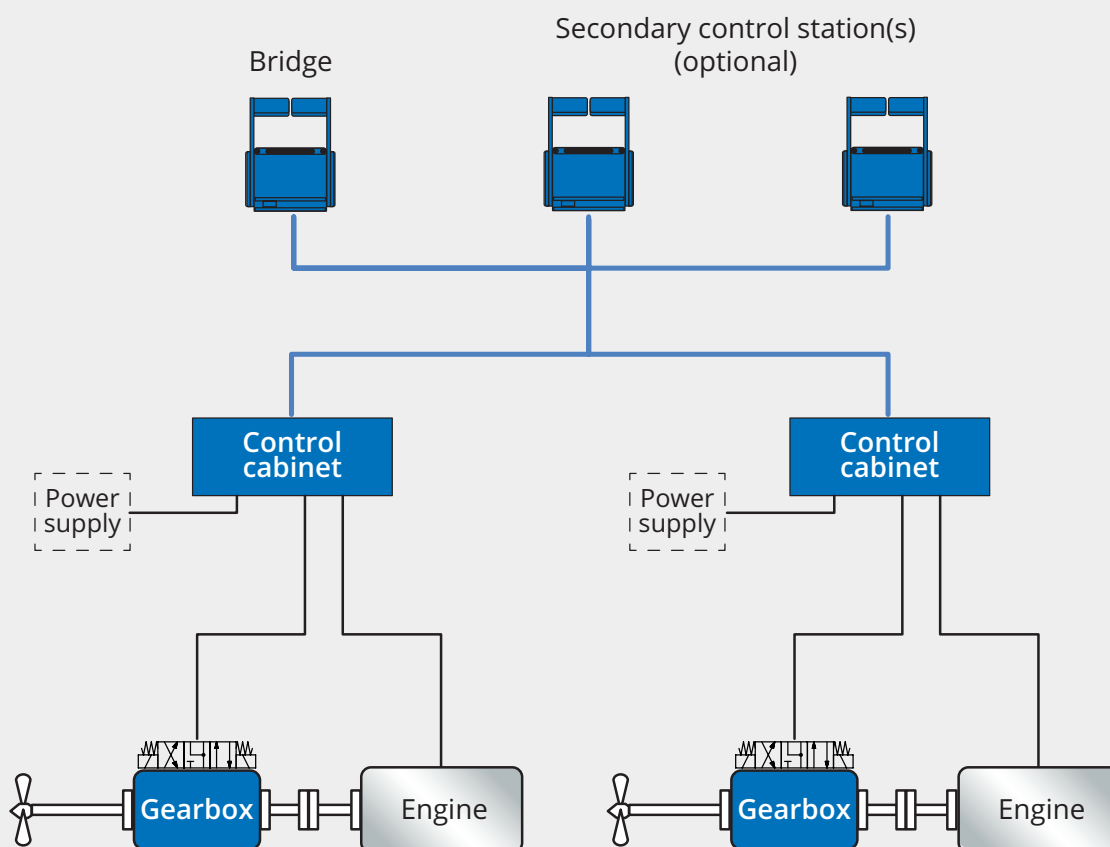
- Remote commissioning available
- Worldwide sales & service network
- Spare parts are available for 10 years minimum
- Staff training online, in the factory or locally

## Classification:

- Class-approved by DNV, BV, KR, LR, RINA, CCS, ClassNK, ABS. Other approvals on request
- Optional Factory Acceptance Test for specific system setups

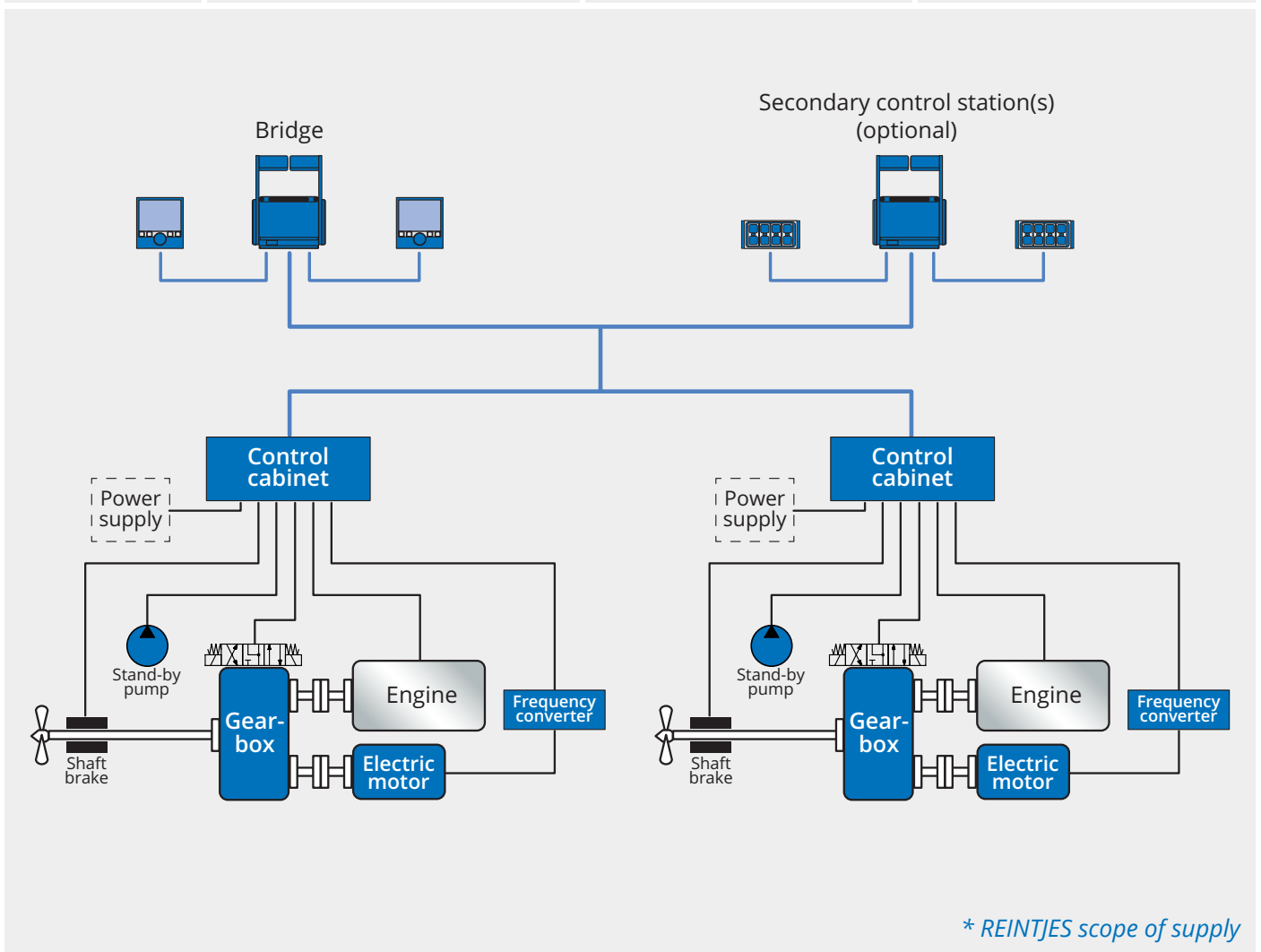
# REINTJES AUTOMATION

Name	FPP Propulsion Type	Bridge Components	Scope of Supply & Features
<b>Basic</b>	<ul style="list-style-type: none"> <li>Vessels with reverse reduction gearbox</li> </ul>		<ul style="list-style-type: none"> <li>1 Main control</li> <li>Up to 3 side controls</li> <li>Cables and connectors</li> </ul>



\* REINTJES scope of supply

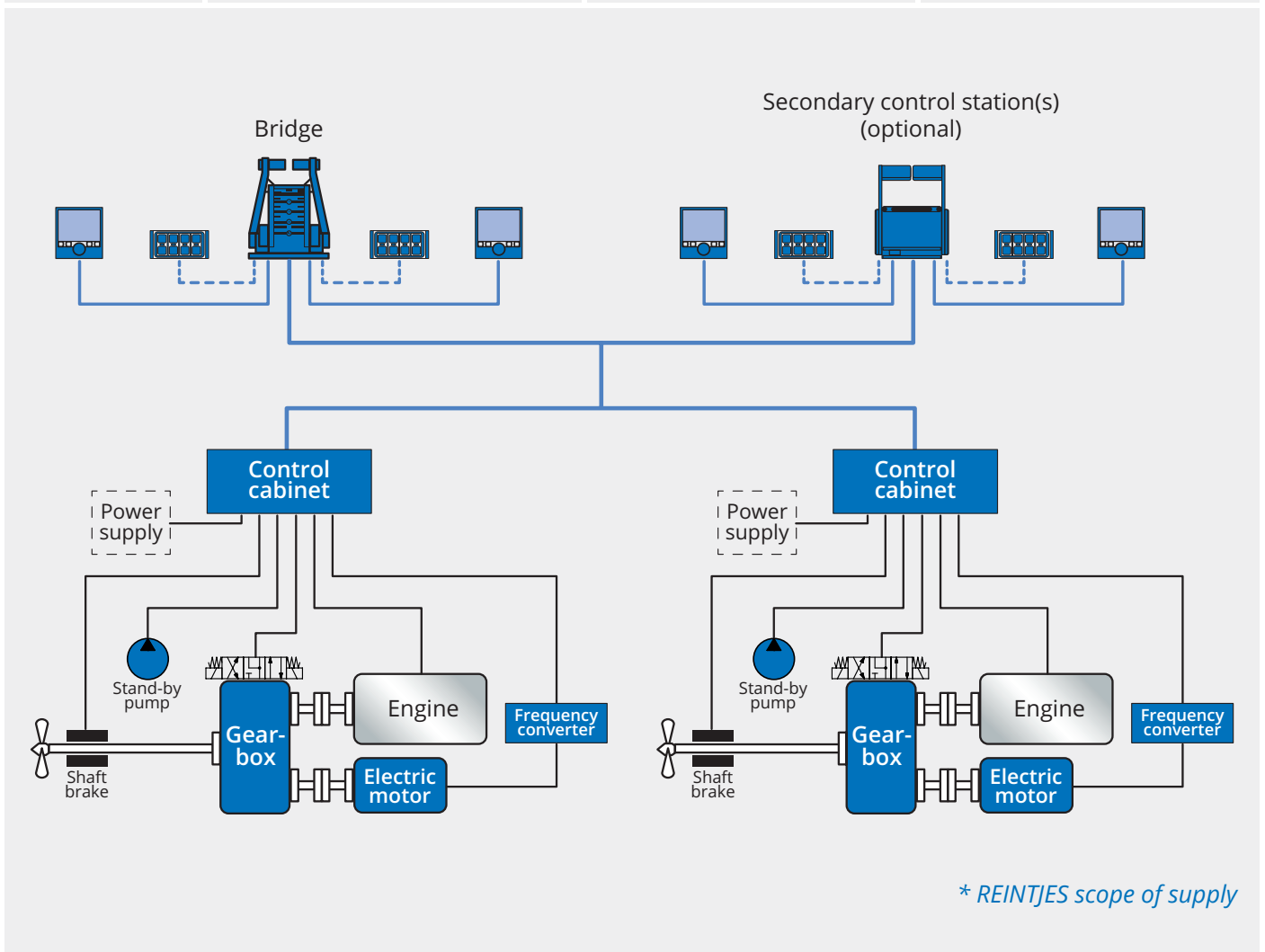
Name	FPP Propulsion Type	Bridge Components	Scope of Supply & Features
<b>Advanced</b>	<ul style="list-style-type: none"> <li>■ Vessels with reverse reduction gearbox</li> <li>■ REINTJES Hybrid System (RHS)</li> </ul>		<ul style="list-style-type: none"> <li>■ 1 Main control</li> <li>■ Up to 3 side controls</li> <li>■ Cables and connectors</li> <li>■ Mode change only in neutral</li> </ul>



\* REINTJES scope of supply

# REINTJES AUTOMATION

Name	FPP Propulsion Type	Bridge Components	Scope of Supply & Features
<b>Ultimate</b>	<ul style="list-style-type: none"> <li>Vessels with reverse reduction gearbox</li> <li>REINTJES Hybrid System (RHS)</li> </ul>		<ul style="list-style-type: none"> <li>1 Main control</li> <li>Up to 5 stations</li> <li>Automatic mode</li> <li>Mode change outside of neutral</li> <li>Cables and connectors</li> </ul>





*Liinsand - equipped with ultimate solution*



This document and any technical data contained herein are subject to modifications or updates at any time and are always non-binding. The data serve informational purposes and cannot be guaranteed in any way. In addition, any data and information will be assessed and determined individually for each project and purpose. This is necessary due to differing characteristics of each project and purpose. This is necessary due to differing characteristics of each project. If this document is delivered in another language than English and in case of divergences of interpretation between the different language texts, the English text shall prevail. Pictures and logos courtesy from all owners of the respective trademarks and rights. Gearbox standard design dry. Following lists only show an extract of gearboxes available. Additional sizes, offset configurations and variations are available on request.

Dimensions and dry weights are approximate and may vary with housing or by input and ratio. Specifications are subject to change without notice. Please contact your REINTJES distributor for current information and binding data.

REINTJES GmbH  
 Eugen-Reintjes-Straße 7  
 31785 Hameln  
 Germany

E-Mail: [info@reintjes-gears.de](mailto:info@reintjes-gears.de)  
 Phone: +49 5151 1040

[www.reintjes-gears.com](http://www.reintjes-gears.com)

Scan here to  
 download all our  
 product brochures

